

PF Filtered Power Supply Charger

SENS PF Filtered Power Supply/Charger front view



Space-Saving Telecom Power.

- **High density design**— saves rack space and money.
- **Constant voltage, current limited**— maintains constant voltage regulation.
- **115/230 VAC, 50/60 Hz input**— operates nearly anywhere in the world.
- **Optional alarm system**— provides output via dry contact relay.
- **Aluminum housing**— gives modern appearance and corrosion protection.
- **Proven SENS quality**— means years of trouble-free service.

Product Highlights

SENS PF communications charger supplies reliable, efficient DC power for telecommunications applications. The PF can be used with or without a battery.

Designed for 19" rack mounting, SENS PF is ideal for space-restricted applications. The PF consumes only two units of rack space. A distribution panel, including two independently fused outputs, is optional.

Rear panel switch allows selection of 115 or 230 volts AC input. 50/60 Hz is standard.

Specifications

Input Frequency & Voltage Range

50/60 Hz, $\pm 5\%$; 115/230 volt switch selectable, $\pm 10\%$.

Output Voltage

12, 24 & 48 volts nominal. Factory adjusted to approximately 114% above nominal for battery charging. Field adjustable to nominal voltage for power supply use.

Output Voltage Regulation

$\pm 1\%$ from no load to full load with simultaneous variations in input voltage of 10% and frequency of 5%.

Current Limiting & Overload Protection

- Soft start - ensures smooth start-up.
- Electronically current limited at 110% of rated output.
- AC and DC fuses.

Output Ripple

30 mV maximum ripple when connected to a battery having capacity in AH four times the ampere output rating of the charger.

Indicators

DC voltmeter: 2.5" scale.
DC ammeter: 2.5" scale.

Specifications

Connections

Rear panel barrier strip.

Ambient

Operating temperature: -10 C to +50 C.
Humidity: 5% to 95% non-condensing.

Mechanical

Housing material: Clear anodized aluminum.
Configuration: 19" relay rack mounting

Optional Features

- Multi-function alarm system (see model Number Breakout).
- Two independently fused outputs.
- Fungus proofing of circuit boards.
- Export packaging.

How to Order

1. Determine the standard charger model number. Refer to the Ordering Information Table.
2. Specify options as line items.

Ordering Information Table

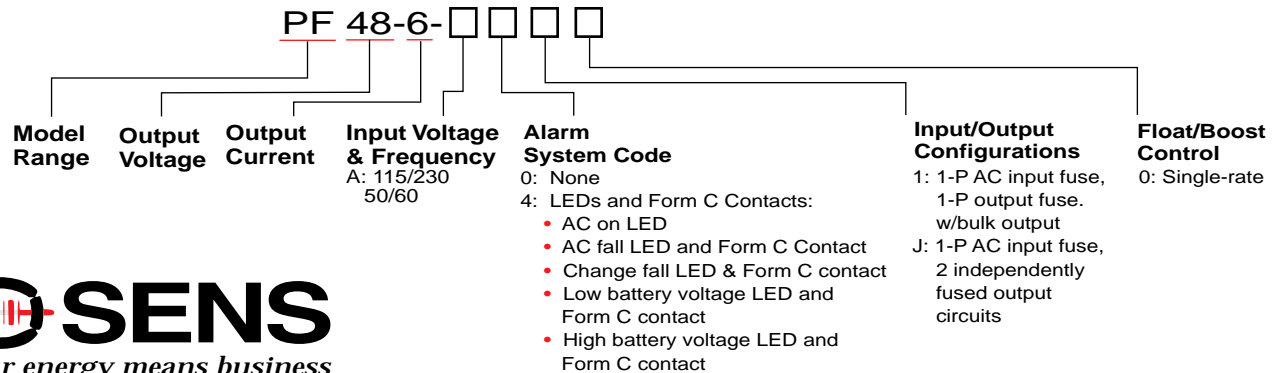
Output		Model Number	Weight	
Volts	Amps		Lbs.	Kgs.
12	6	PF12-6-AXY0	25	11
12	15	PF12-15-AXY0	31	14.1
24	6	PF24-6-AXY0	28	12.7
24	12	PF24-12-AXY0	32	14.5
48	3	PF48-3-AXY0	28	12.7
48	6	PF48-6-AXY0	33	15

X specifies alarm configuration, and Y specifies the output distribution configuration.
Note: Generic chargers are shown. Refer to the Model Number Breakout diagram for how to specify alarms and output distribution.

SENS PF Filtered Power Supply/Charger rear view



Model Number Breakout



STORED ENERGY SYSTEMS
1840 INDUSTRIAL CIRCLE
LONGMONT, CO 80501 USA

Fax: 303.678.7504
Phone: 303.678.7500
Technical Support: 1.800.742.2326
Sales Email: info@sens-usa.com
Customer Service Email: service@sens-usa.com
www.sens-usa.com

