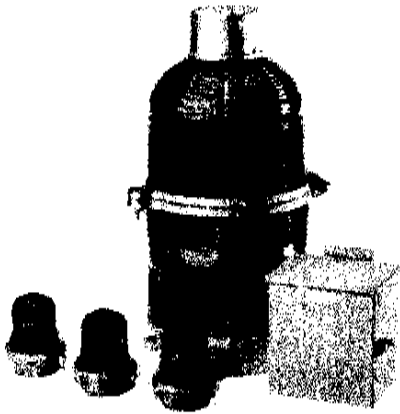


## ***Tower Lighting Products***

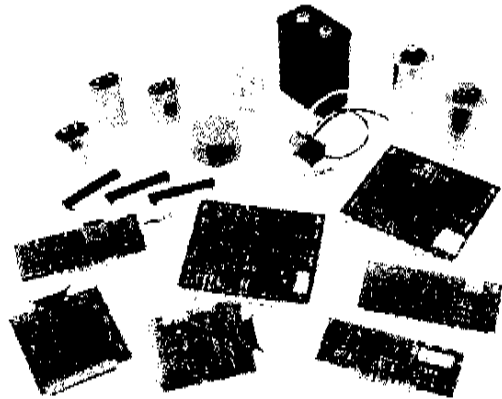


### ***Incandescent Lighting***

- ***Systems***
- ***Controllers***
- ***Obstruction Lights***
- ***Flashing Beacons***

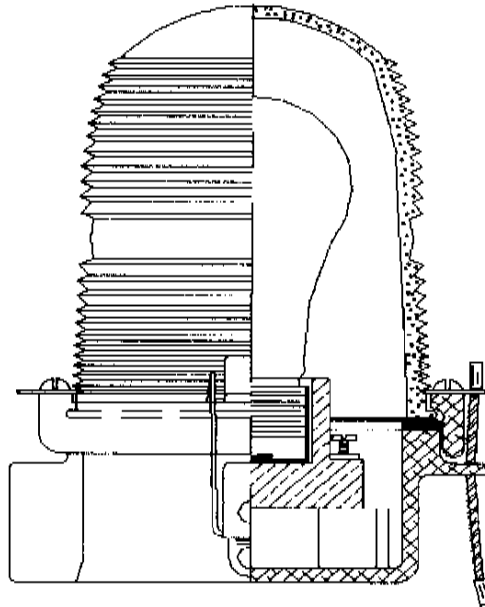
### ***Strobe Lighting***

- ***Replacement Parts***
- ***Repair Services***
- ***All Major Manufacturers***



# **MKR-S750-OSH**

## **FAA Approved L-810 Single Obstruction Light Side Hub**



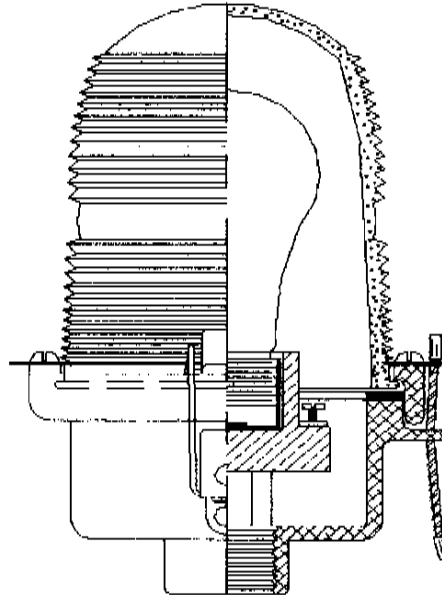
- ✓ **Meets or exceeds FAA specification AC 150/5345-43 Type L-810.**
- ✓ **FAA approved Aviation red fresnel lens.**
- ✓ **Copper free aluminum casting.**
- ✓ **All stainless steel latches and hardware.**
- ✓ **High quality porcelain lamp socket.**
- ✓ **Stainless steel safety cable.**

### **SPECIFICATIONS**

Height:	7.5 inches (19cm)
Weight:	3 lbs. (1.4 kg)
Power:	120 / 230 Vac, 50 / 60 Hz
Lamp:	116W, 120 / 230 Vac (lamps sold separately)

# ***MKR-S750-OBH***

## **FAA Approved L-810 Single Obstruction Light Bottom Hub**



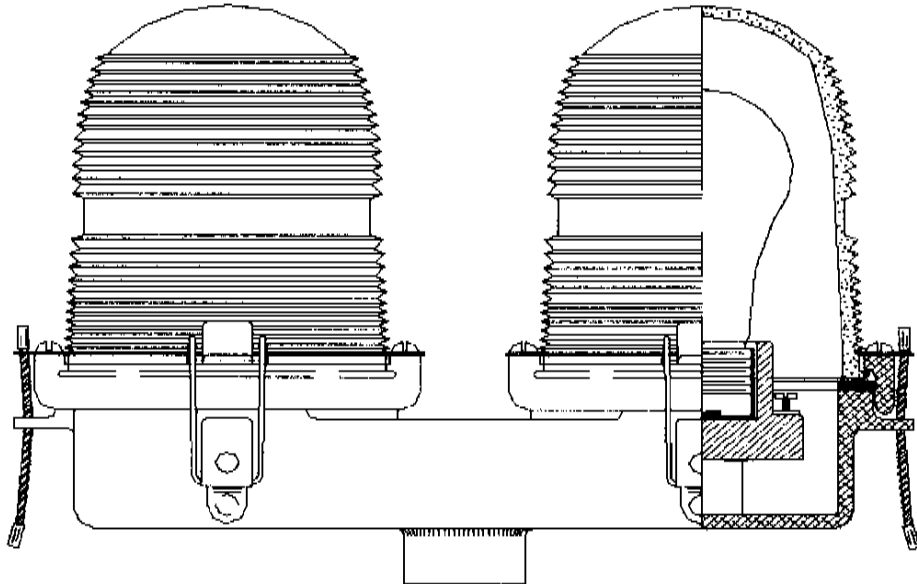
- ✓ **Meets or exceeds FAA specification AC 150/5345-43 Type L-810.**
- ✓ **FAA approved Aviation red fresnel lens.**
- ✓ **Copper free aluminum casting.**
- ✓ **All stainless steel latches and hardware.**
- ✓ **High quality porcelain lamp socket.**
- ✓ **Stainless steel safety cable.**

### **SPECIFICATIONS**

Height:	8 inches (20.3cm)
Weight:	3 lbs. (1.4 kg)
Power:	120 / 230 Vac, 50 / 60 Hz
Lamp:	116W, 120 / 230 Vac (lamps sold separately)

# **MKR-D750-000**

## **FAA Approved L-810 Double Obstruction Light Bottom Hub**



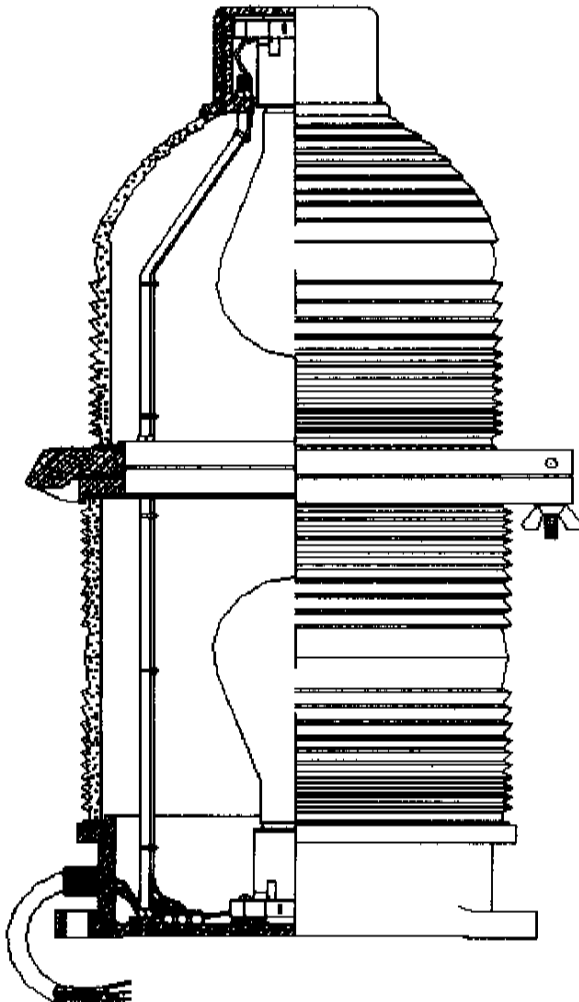
- ✓ **Meets or exceeds FAA specification AC 150/5345-43 Type L-810.**
- ✓ **FAA approved Aviation red fresnel lenses.**
- ✓ **Copper free aluminum casting.**
- ✓ **All stainless steel latches and hardware.**
- ✓ **High quality porcelain lamp sockets.**
- ✓ **Stainless steel safety cables.**

### **SPECIFICATIONS**

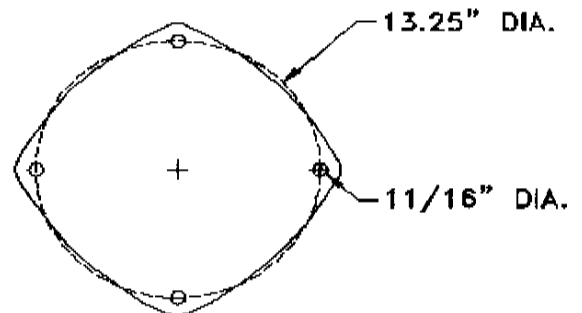
Height:	7 inches (17.8cm)
Weight:	10 lbs. (4.5 kg)
Power:	120 / 230 Vac, 50 / 60 Hz
Lamps:	Two 116W, 120 / 230 Vac (lamps sold separately)

# BCN-0300-000

## FAA Approved L-864 300 MM Beacon



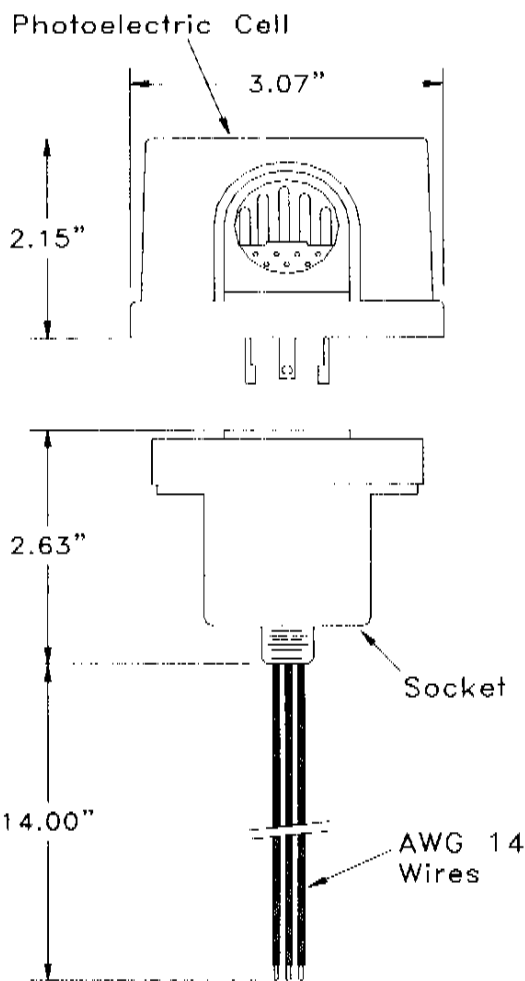
- ✓ Meets or exceeds FAA specification AC 150/5345-43 Type L-864.
- ✓ FAA approved Aviation red fresnel lenses.
- ✓ Copper free aluminum castings.
- ✓ All stainless steel hardware.
- ✓ High quality porcelain lamp sockets.
- ✓ Five foot SO cord included.
- ✓ Industry standard mounting hole pattern.



### SPECIFICATIONS

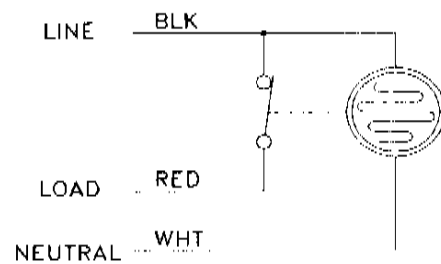
Height:	30.5 inches (77.5cm)
Weight:	68 lbs. (30.9 kg)
Power:	120 / 230 Vac, 50 / 60 Hz
Lamps:	Two 620W or 700W, 120 Vac or 500W, 230 Vac (lamps sold separately)

# PEC-1800



## Photoelectric Cell

- ✓ **Conforms to FAA requirements for airway obstruction lighting.**
- ✓ **35 foot-candles turn-on.**
- ✓ **58 foot-candles turn-off.**
- ✓ **CSA Certified.**
- ✓ **1800 VA power rating.**
- ✓ **Built-in time delay prevents false cycling.**
- ✓ **120VAC and 230VAC versions available.**

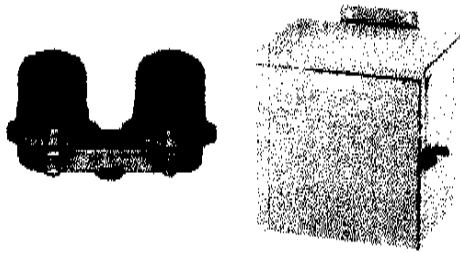


### SPECIFICATIONS

<b>Voltage:</b>	120 Vac, 50 / 60 Hz ( PEC-1800-120 ) 230 Vac, 50 / 60 Hz ( PEC-1800-230 )
<b>Power:</b>	1800 VA
<b>Temperature:</b>	-55°C to +55°C
<b>Socket:</b>	Threaded base fits 1/2 inch knockout. Three AWG 14 wires: Line - black Neutral - white Load - red

Socket ( PEC-SOCK-000 ) sold separately

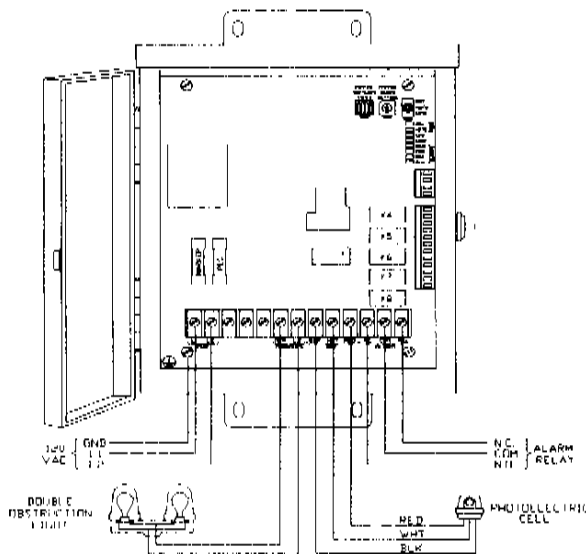
# RLC-200



The RLC-200 Red Light Controller is a complete control solution for FAA type A-0 towers.

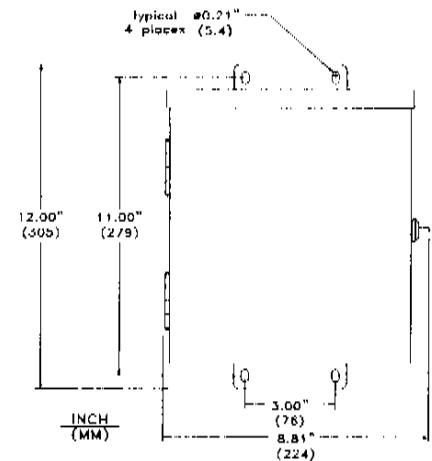
- ✓ Controls and monitors up to five single obstruction lights.
- ✓ Compact lockable NEMA 3R Enclosure (12 x 8.8 inches overall).
- ✓ Four pre-punched knockouts (1/2 inch - 1 inch).
- ✓ Manual mode control switch.
- ✓ Built-in fusing for obstruction lights and photoelectric cell (PEC).
- ✓ Main alarm relay indicates failure of obstruction light, or PEC.
- ✓ Optional Individual alarm relays.
- ✓ Optional transfer relay.
- ✓ 120VAC and 230VAC International versions available.

(Obstruction lights and photoelectric cell sold separately)



## SPECIFICATIONS

Obstruction Lights:	Up to Five L-810 116W / 120 Vac or 100W / 230 Vac
PEC:	120 / 230 Vac, 50 / 60 Hz, 1VA
Alarm Relays:	120 / 230 Vac, 1 Amp
Suppression:	45 Joule, 275V, Power, Obstruction Lights, PEC 23 Joule, 275V, All alarm relay contacts
Enclosure:	NEMA Type 3R, Lockable
Power:	120 / 230 Vac, 50/60 Hz, 6VA (Lights not included)
Temperature:	-55°C to +55°C
Humidity:	Less than 95%, non-condensing
Weight:	8 lbs. (3.6kg)

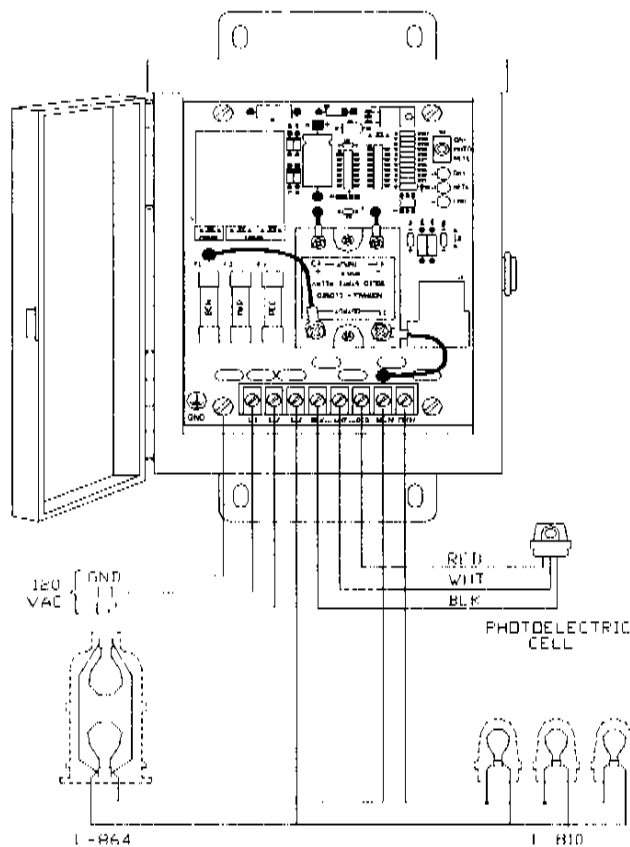


# RLC-101

The RLC-101 Red Light Controller is a rugged, low cost lighting control solution for towers that do not require alarm monitoring.

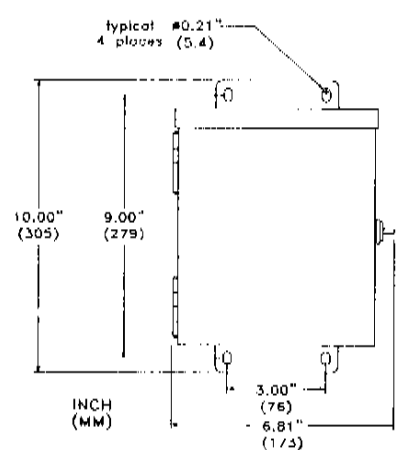
- ✓ Controls one L-864 incandescent beacon and up to five L-810 incandescent markers.
- ✓ Compact lockable NEMA 3R Enclosure (10 x 6.8 inches overall).
- ✓ Three pre-punched knockouts (1/2 inch - 1 inch).
- ✓ Manual mode control switch.
- ✓ Indicator lights for operating mode and flash command.
- ✓ Built-in fusing for beacon, markers, and photoelectric cell (PEC).
- ✓ 120VAC and 230VAC International versions available.

(Beacon, markers, and photoelectric cell sold separately)



## SPECIFICATIONS

Beacon:	Two 620W / 120 Vac bulbs or Two 500W / 230 Vac bulbs
Markers:	Up to Five 116W / 120 Vac or 100W / 230 Vac
PEC:	120 / 230 Vac, 50 / 60 Hz
Suppression:	45 Joule, 275V, Power, Beacon, Marker, PEC
Enclosure:	NEMA Type 3R, Lockable
Power:	120 / 230 Vac, 50/60 Hz, 6VA (Lights not included)
Temperature:	-55°C to +55°C
Humidity:	Less than 95%, non-condensing
Weight:	5 lbs. (2.3kg)

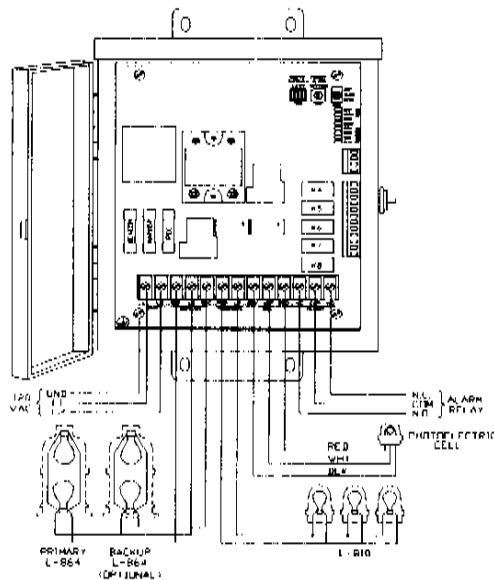


# RLC-201

The RLC-201 Red Light Controller is a complete control solution for FAA type A-1 towers.



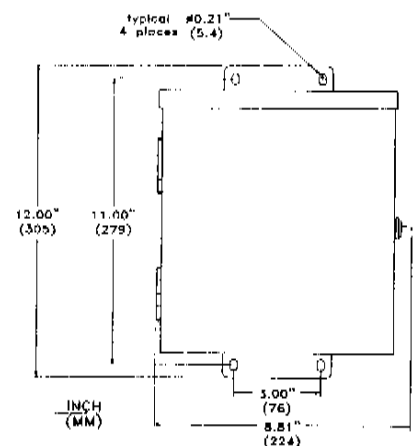
- ✓ Controls and monitors one L-864 red incandescent beacon and up to five L-810 red incandescent markers.
- ✓ Compact lockable NEMA 3R Enclosure (12 x 8.8 inches overall).
- ✓ Four pre-punched knockouts (1/2 inch - 1 inch).
- ✓ Manual mode control switch.
- ✓ Built-in fusing for beacon, markers, and photoelectric cell (PEC).
- ✓ Main alarm relay indicates failure of beacon, marker, or PEC.
- ✓ Optional individual alarm relays.
- ✓ Optional backup beacon relay.
- ✓ 120VAC and 230VAC International versions available.



(Beacon, markers, and photoelectric cell sold separately)

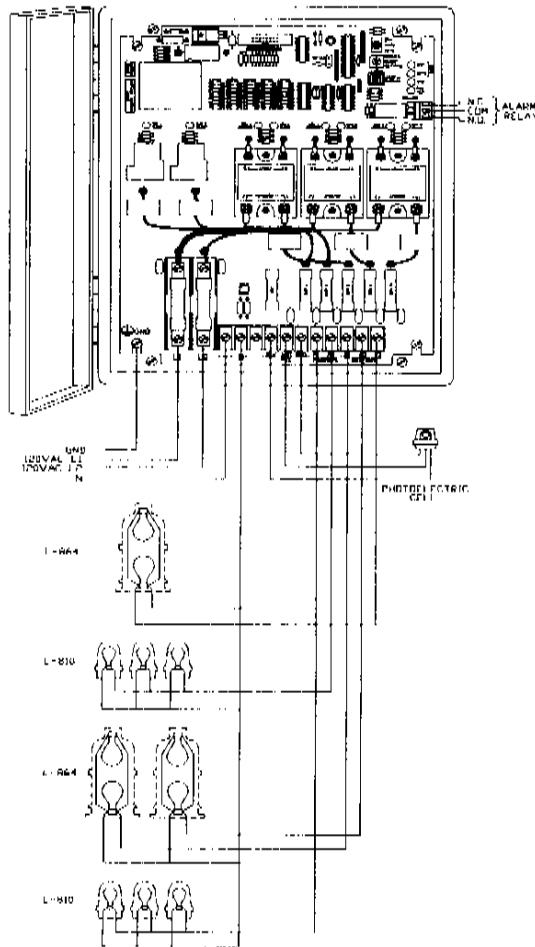
## SPECIFICATIONS

Beacon:	Two 620W / 120 Vac bulbs or Two 500W / 230 Vac bulbs
Markers:	Up to Five 116W / 120 Vac or 100W / 230 Vac
PEC:	120 / 230 Vac, 50 / 60 Hz
Alarm Relays:	120 / 230 Vac, 1 Amp
Suppression:	45 Joule, 275V, Power, Beacon, Marker, PEC 23 Joule, 275V, All alarm relay contacts
Enclosure:	NEMA Type 3R, Lockable
Power:	120 / 230 Vac, 50/60 Hz, 6VA (Lights not included)
Temperature:	-55°C to +55°C
Humidity:	Less than 95%, non-condensing
Weight:	8 lbs. (3.6kg)



# RLC-203

The RLC-203 Red Light Controller is a complete control solution for FAA type A-2 towers.



- ✓ Controls and monitors three L-864 red incandescent beacons and two levels of five L-810 red incandescent markers.
- ✓ Compact locking NEMA 12 Enclosure (11.81 x 9.84 inches overall).
- ✓ Manual mode control switch.
- ✓ Built-in fusing for each beacon, each marker level, and photoelectric cell (PEC).
- ✓ Main alarm relay indicates failure of any beacon, marker level, or PEC.
- ✓ Optional individual alarm relays for each beacon, marker level, and PEC.
- ✓ Optional windowed enclosure door.
- ✓ Optional boost transformer.
- ✓ 120VAC and 230VAC International versions available.

(Beacons, markers, and photoelectric cell sold separately)

## SPECIFICATIONS

<b>Beacons:</b>	3 beacons containing: Two 620W / 120 Vac bulbs or Two 500W / 230 Vac bulbs
<b>Markers:</b>	Two levels, 5 markers per level 116W / 120 Vac bulbs or 100W / 230 Vac bulbs
<b>PEC:</b>	120 / 230 Vac, 50 / 60 Hz
<b>Alarm Relays:</b>	120 / 230 Vac, 1 Amp
<b>Suppression:</b>	45 Joule, 275V, Power, Beacons, Markers, PEC 23 Joule, 275V, All alarm relay contacts
<b>Enclosure:</b>	NEMA Type 12, Lockable
<b>Power:</b>	120 / 230 Vac, 50/60 Hz, 6VA (Lights not included)
<b>Temperature:</b>	-55°C to +55°C
<b>Humidity:</b>	Less than 95%, non-condensing
<b>Weight:</b>	16 lbs. (7.3kg)

